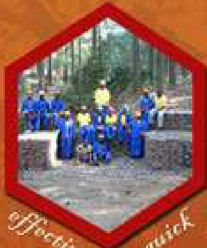




durable

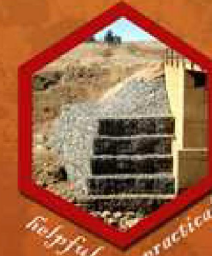
affordable



effective

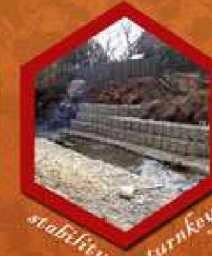
quick

GABION BASKETS



helpful

practical



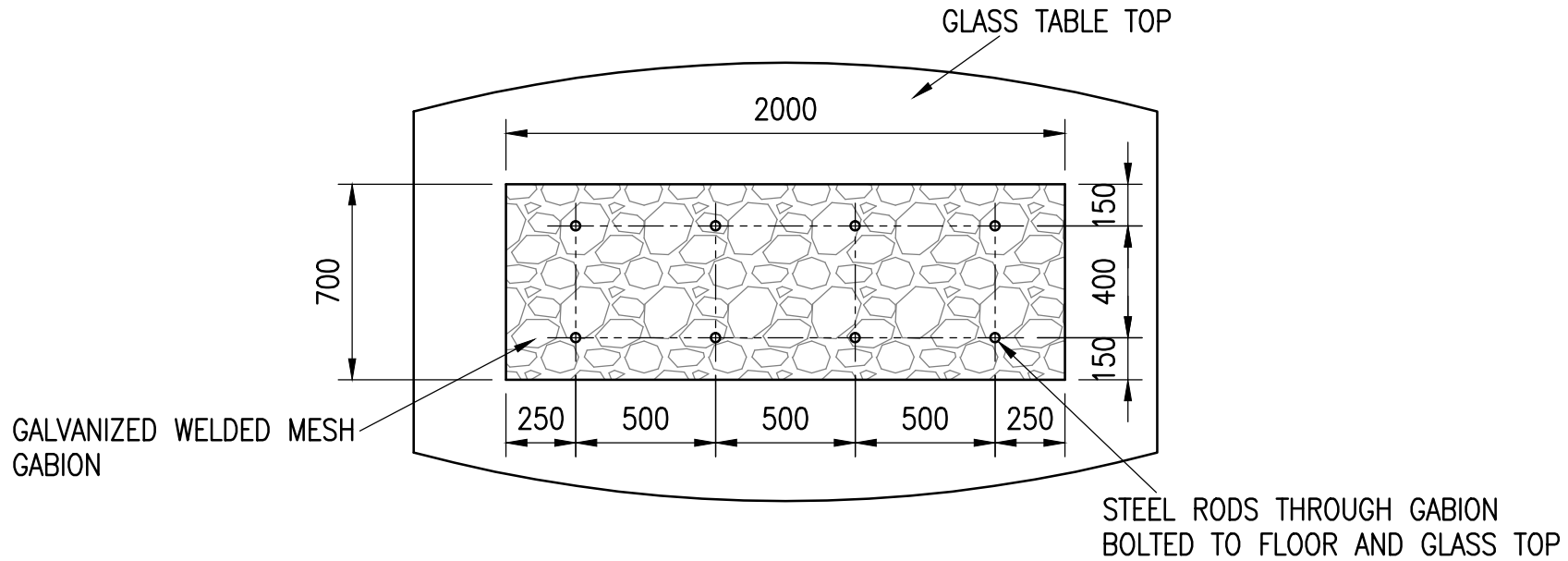
stability

turnkey

we box rocks!

Project Proposal

www.gabionbaskets.co.za



P.O. BOX 174
RANDPARK RIDGE
2156

TEL: 011 882 5788
FAX: 011 882 5804
CELL: 083 255 8072

E-MAIL: louis@gabionbaskets.co.za
www.gabionbaskets.co.za

THIS IS A PROPOSAL ONLY. DESIGN INDEMNITY ON REQUEST

DRAWING TITLE

GABION BOARD ROOM TABLE – PLAN

PROJECT

BOARD ROOM TABLE

DRAWN

N. CHEYNE

SCALE

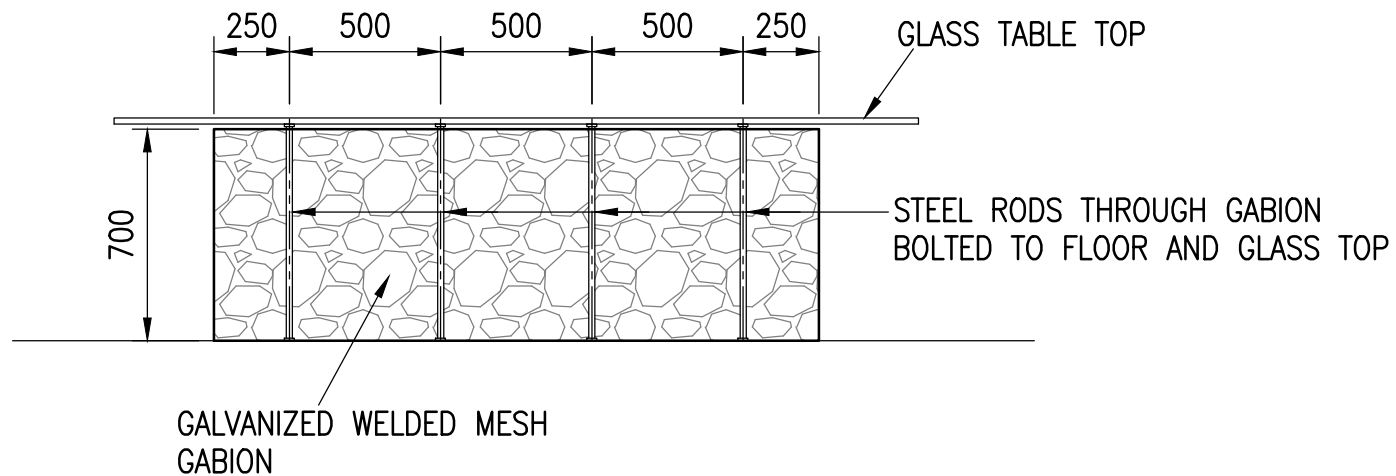
1:25

CLIENT

DAN BARWICK

DATE

21/08/2015



P.O. BOX 174
RANDPARK RIDGE
2156

TEL: 011 882 5788
FAX: 011 882 5804
CELL: 083 255 8072

E-MAIL: louis@gabionbaskets.co.za
www.gabionbaskets.co.za

THIS IS A PROPOSAL ONLY. DESIGN INDEMNITY ON REQUEST

DRAWING TITLE

GABION BOARD ROOM TABLE – SIDE ELEVATION

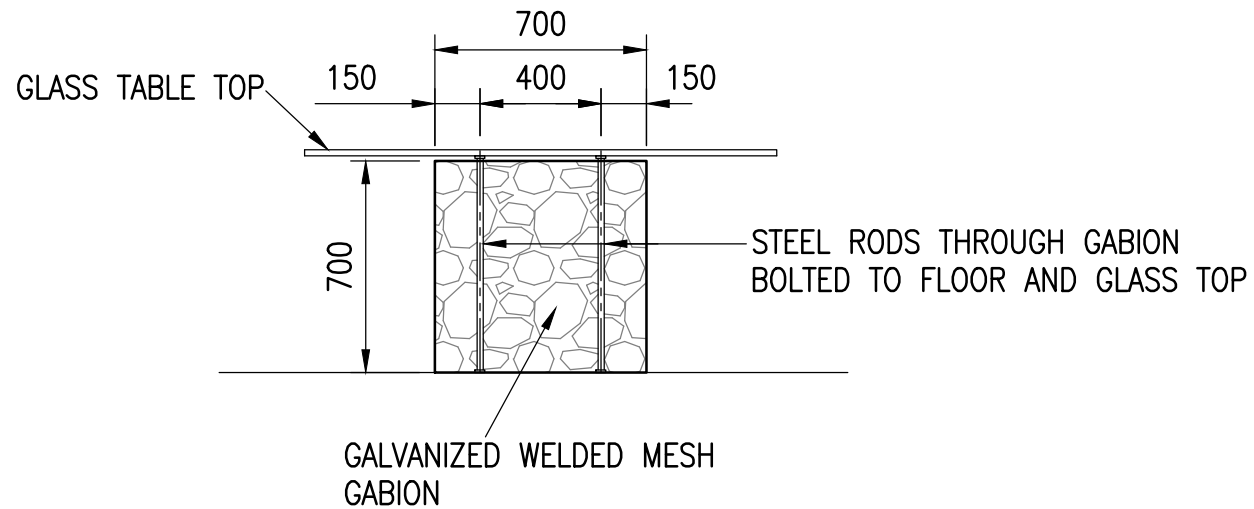
PROJECT BOARD ROOM TABLE

DRAWN N. CHEYNE

CLIENT DAN BARWICK

SCALE 1:25

DATE 21/08/2015



P.O. BOX 174
RANDPARK RIDGE
2156

TEL: 011 882 5788
FAX: 011 882 5804
CELL: 083 255 8072

E-MAIL: louis@gabionbaskets.co.za
www.gabionbaskets.co.za

THIS IS A PROPOSAL ONLY. DESIGN INDEMNITY ON REQUEST

DRAWING TITLE

GABION BOARD ROOM TABLE – FRONT ELEVATION

PROJECT

BOARD ROOM TABLE

DRAWN

N. CHEYNE

SCALE

1:25

CLIENT

DAN BARWICK

DATE

21/08/2015